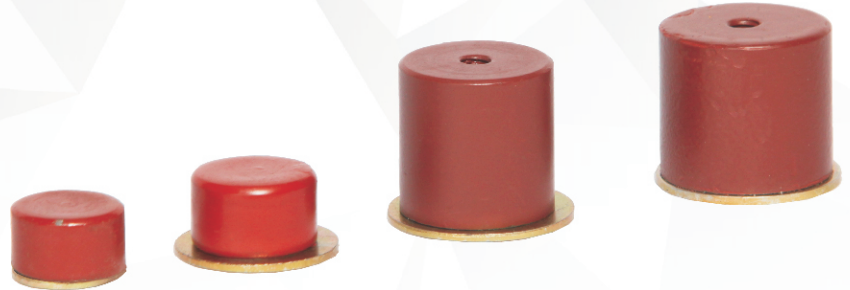
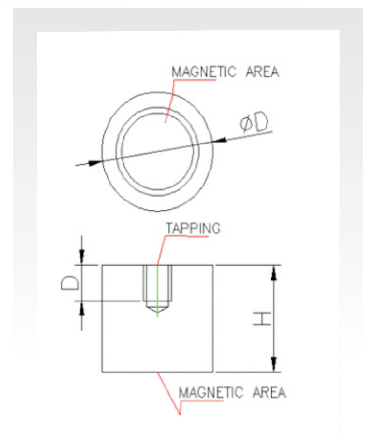


Pot Magnets

Series AA-192



- Pot Magnets are compact units embodying powerful “Rare Earth” magnets assembled in mild steel pot by aluminum retaining and insulating rings designed for magnetic holding and lifting applications of all sorts.
- They can be readily inserted into other assemblies and the mild steel pot be easily machined to suit individual requirements.
- Available in four sizes. Supplied complete with plated keeper.
- Button Magnets which are made in four sizes specially designed in “Rare Earth”.
- Designed for applications where height is restricted for conventional deep Pot magnets.
- Threading can be provided for button magnets if required by the customer.



Specifications:

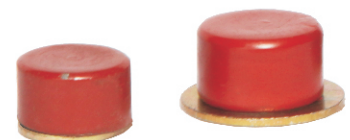
Sr. No	Cat. No.	Diameter (ØD) in mm	Height (H) in mm	Threading	Magnetic Pull kg
1	AA-1921	18	16	M 5	1.8
2	AA-1922	22	20	M 6	2.8
3	AA-1923	27	25	M 6	6.5
4	AA-1924	35	30	M 6	11.5

Button Magnets

Series AA-192

Specifications:

Sr. No	Cat. No.	Diameter (ØD)	Height (H) in mm	Magnetic Pull kg
1	AA-1925	12	10	0.6
2	AA-1926	20	12	1.6
3	AA-1927	25	15	4.0



We also Manufacture to Customer's Specifications also.